

Bifurcated Fan

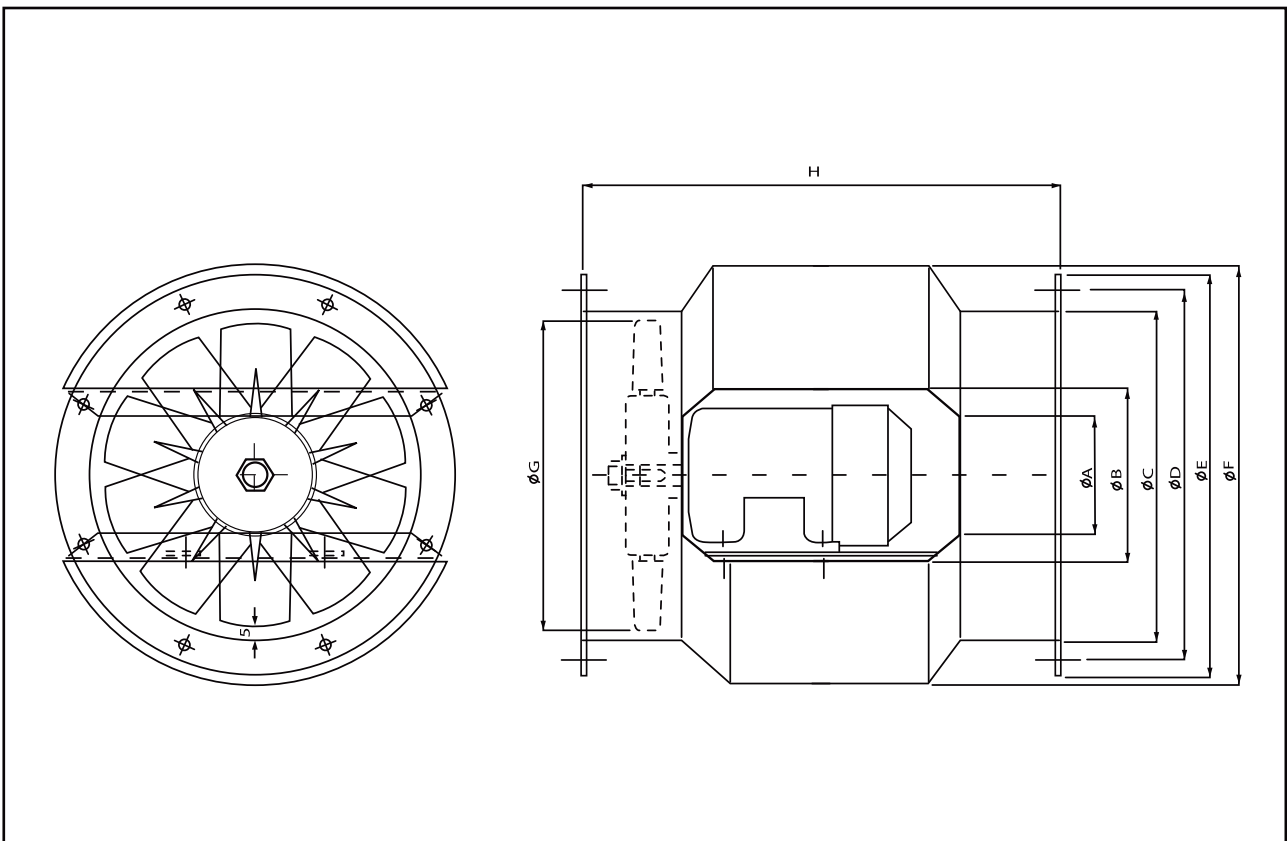
- Housing materials : Steel or Stainless steel
- Impeller materials : Plastic, Aluminum or Steel

Applications:

- Duct ventilation systems
- Vacuuming polluted air from wide area



Type AV-ExxxBF



TYPE	WHEEL (dia)		MOTOR		V.	SP. (mm.Aq.)	CFM.	CMM.	DIMENSION							
	mm.	inch.	HP.	RPM.					Ø A	Ø B	Ø C	Ø D	Ø E	Ø F	Ø G	H
AV-E112BF	290	11.5	0.5	2800	220/380	5	1300	36	108	158	300	334	360	380	290	430
AV-E115BF	380	15	1	2800	220/380	10	2000	56	130	204	400	434	464	480	380	450
AV-E120BF	490	19.3	2	2800	220/380	20	4200	117	150	275	500	540	560	700	490	600

* Dimension might be adjusted without notice

